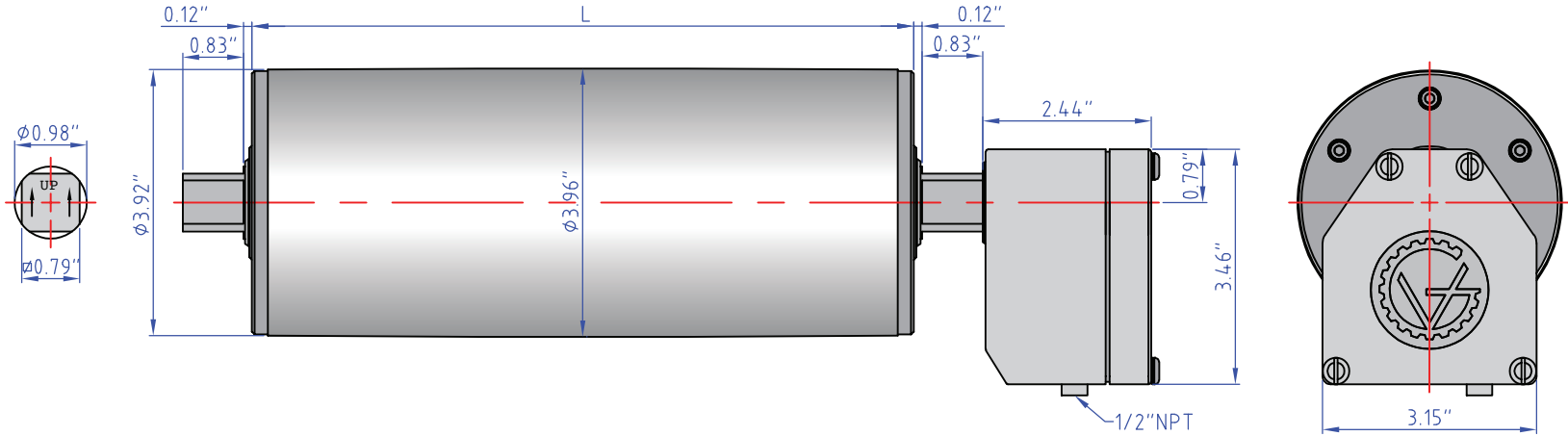


TM100B25 Drum Motor (maching Idler KT100B25**)



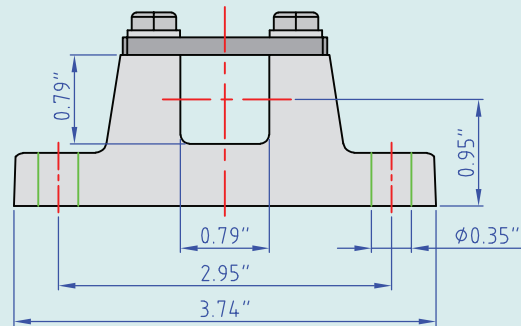
Standard drum motor face widths* (L) in inches:

| | | | | | | | | | |
|-------|-------|-------|-------|-------|-------|-------|-------|-------|-------|
| 10.24 | 10.83 | 12.20 | 14.17 | 16.14 | 18.11 | 20.08 | 22.05 | 24.02 | 25.98 |
| 27.95 | 29.92 | 31.89 | 33.86 | 35.83 | 37.80 | 39.76 | 41.73 | 43.70 | 45.67 |

*Some face widths are not available in all horsepower. For minimum available face widths: [Click Here to View Chart.](#)

**Idler dimensions are identical to the drum motor with no junction box.

Brackets: 100-AB20



Cable Option:

