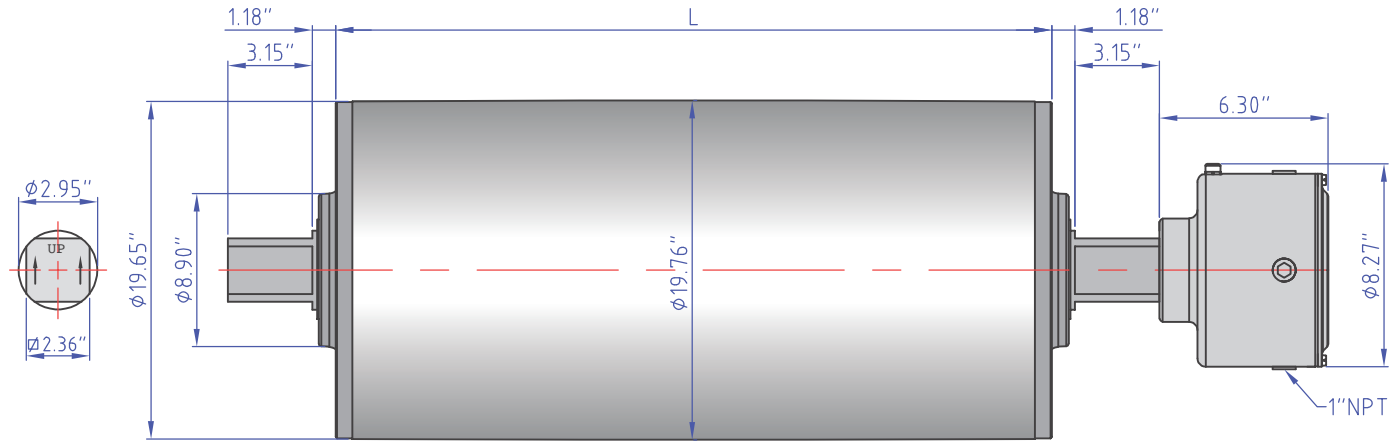


TM500A75 Drum Motor (maching Idler KT500A75\*\*)



Standard drum motor face widths\* (L) in inches:

33.46	35.43	37.40	39.37	41.34	43.31	45.28	47.24	49.21	51.18	53.15
55.12	57.09	59.06	61.02	62.99	64.96	66.93	68.90	70.87	72.83	74.80

\*Some face widths are not available in all horsepower. For minimum available face widths: [Click Here to View Chart.](#)

\*\*Idler dimensions are identical to the drum motor with no junction box.

Brackets: 500-AB-75

