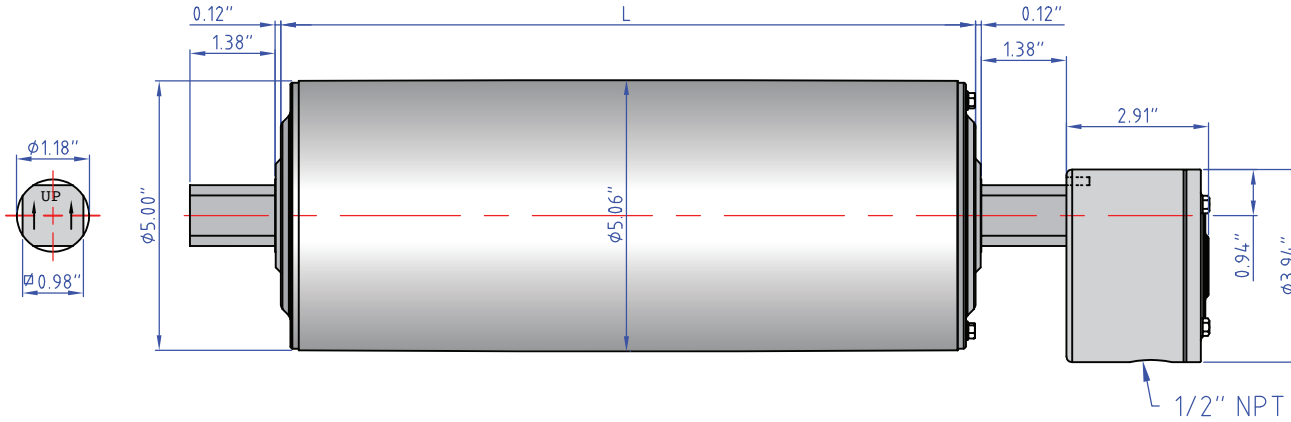


TM127B30 Drum Motor (maching Idler KT127B30**)



NOTE: Junction Box **does not rotate**. Power entry at 6 o'clock position.

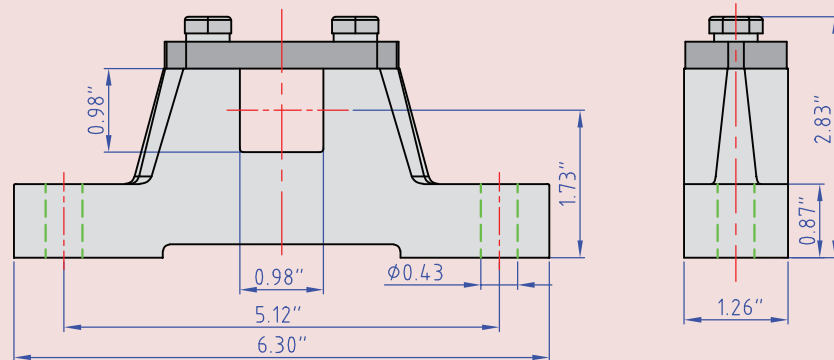
Standard drum motor face widths* (L) in inches:

10.83	11.81	13.78	15.75	17.72	19.69	21.65	23.62	25.59	27.56
29.53	31.50	33.46	35.43	37.40	39.37	41.34	43.31	45.28	47.24

*Some face widths are not available in all horsepower. For minimum available face widths: [Click Here to View Chart](#).

**Idler dimensions are identical to the drum motor with no junction box.

Brackets: 160-AB30



PES Cable Option:

