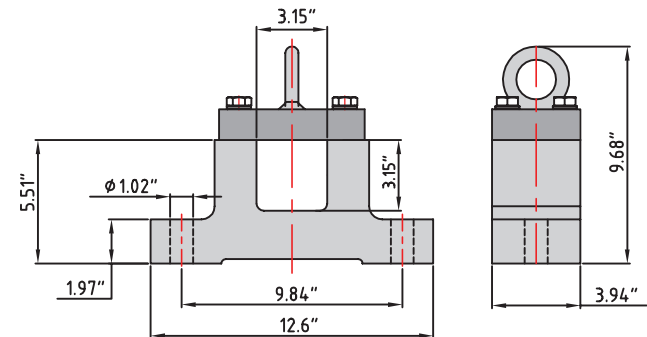


Standard face widths* (L) in inches:

- 38.0 44.0 50.0 56.0 62.0 68.0 74.0

Bracket AB 100



*Some face widths are not available in all horsepower. **Idler dimensions are identical to the drum motor with no junction box. For minimum available face widths refer to Extreme-duty Catalog page 12.