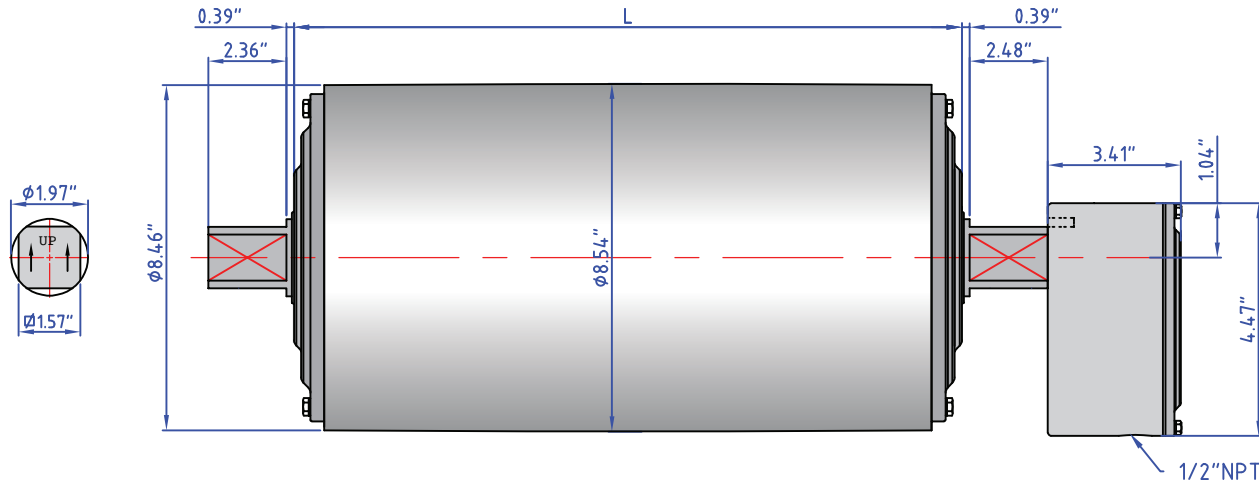


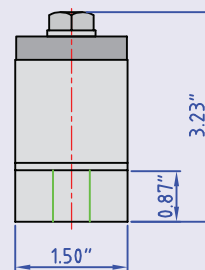
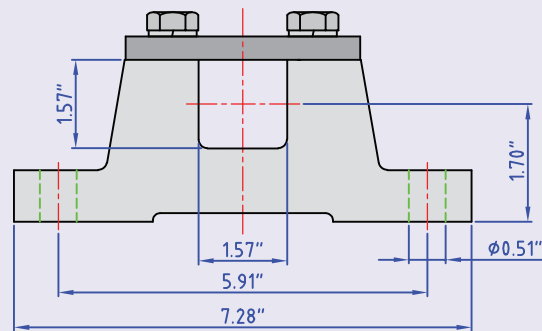
TM215B50 Drum Motor (matching Idler KT215B50**)


Standard drum motor face widths* (L) in inches:

19.69	21.65	23.62	25.59	27.56	29.53	31.50	33.46	35.43
37.40	39.37	41.34	43.31	45.28	47.24			

*Some face widths are not available in all horsepower. For minimum available face widths: [Click Here to View Chart](#).

**Idler dimensions are identical to the drum motor with no junction box.

Brackets: 215-AB50

PES Cable Option:
